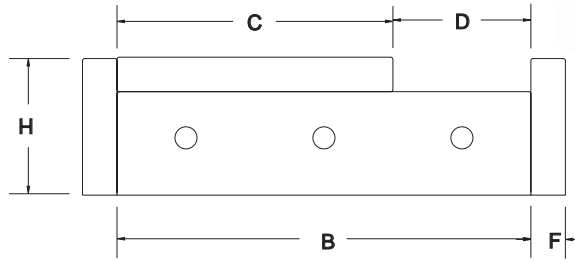
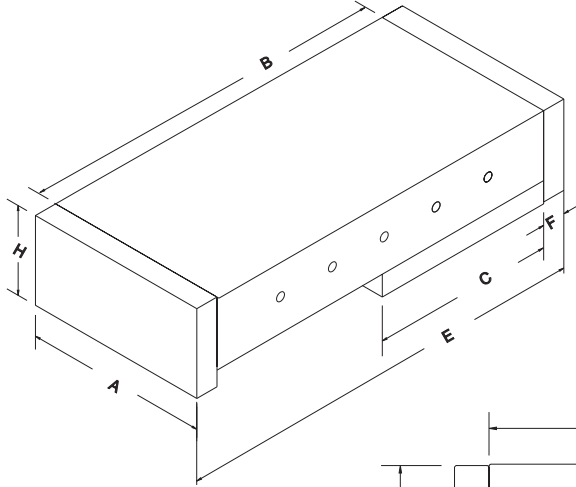


RECIRCULATING BEARING MODEL SLIDES

ALM



PLEASE DESIGNATE MATERIAL
 A = ALUMINUM
 C = CAST IRON

STANDARD MOUNTING HOLES AVAILABLE

MODEL #	A		B		C		D		E		F		H	RAIL SET	WEIGHT		MAX CC (LBS)
	WIDTH	APL	FPL	TRAVEL	OAL	EP	A	C									
RM(A/C)3- 4- 1	3.0 76.2	4.06 103.1	3.06 77.7	1.00 25.4	4.56 115.8	0.25 6.4	1.25 31.7	RC3RS-04	2.2	4.9	340						
RM(A/C)3- 5- 2	3.0 76.2	5.06 128.5	3.06 77.7	2.00 50.8	5.56 141.2	0.25 6.4	1.25 31.7	RC3RS-05	2.5	5.3	340						
RM(A/C)3- 7- 4	3.0 76.2	7.06 179.3	3.06 77.7	4.00 101.6	7.56 192.0	0.25 6.4	1.25 31.7	RC3RS-07	3.1	6.1	340						
RM(A/C)3- 9- 6	3.0 76.2	9.06 230.1	3.06 77.7	6.00 152.4	9.56 242.8	0.25 6.4	1.25 31.7	RC3RS-09	3.7	6.9	340						
RM(A/C)3- 11- 8	3.0 76.2	11.06 280.9	3.06 77.7	8.00 203.2	11.56 293.6	0.25 6.4	1.25 31.7	RC3RS-11	4.3	7.7	340						
RM(A/C)3- 12- 9	3.0 76.2	12.06 306.3	3.06 77.7	9.00 228.6	12.56 319.0	0.25 6.4	1.25 31.7	RC3RS-12	4.6	8.1	340						
RM(A/C)4- 6- 2	4.0 101.6	6.00 152.4	4.00 101.6	2.00 50.8	4.50 114.3	0.25 6.4	1.44 36.5	RC4RS-06	3.8	7.1	965						
RM(A/C)4- 8- 4	4.0 101.6	8.00 203.2	4.00 101.6	4.00 101.6	8.50 215.9	0.25 6.4	1.44 36.5	RC4RS-08	4.8	8.6	965						
RM(A/C)4- 10- 6	4.0 101.6	10.00 254.0	4.00 101.6	6.00 152.4	10.50 266.7	0.25 6.4	1.44 36.5	RC4RS-10	5.7	10.0	965						
RM(A/C)4- 12- 8	4.0 101.6	12.00 304.8	4.00 101.6	8.00 203.2	12.50 317.5	0.25 6.4	1.44 36.5	RC4RS-12	6.7	11.5	965						
RM(A/C)4- 14-10	4.0 101.6	14.00 355.6	4.00 101.6	10.00 254.0	14.50 368.3	0.25 6.4	1.44 36.5	RC4RS-14	7.6	12.9	965						
RM(A/C)4- 16-12	4.0 101.6	16.00 406.4	4.00 101.6	12.00 304.8	16.50 419.1	0.25 6.4	1.44 36.5	RC4RS-16	8.6	14.4	965						
RM(A/C)6-10- 4	6.0 152.4	10.00 254.0	6.00 152.4	4.00 101.6	10.50 266.7	0.25 6.4	2.00 50.8	RC6RS-10	11.3	24.6	1925						
RM(A/C)6-14- 8	6.0 152.4	14.00 355.6	6.00 152.4	8.00 203.2	14.50 368.3	0.25 6.4	2.00 50.8	RC6RS-14	13.6	34.1	1925						
RM(A/C)6-18-12	6.0 152.4	18.00 457.2	6.00 152.4	12.00 304.8	18.50 469.9	0.25 6.4	2.00 50.8	RC6RS-18	16.0	43.5	1925						
RM(A/C)6-22-16	6.0 152.4	22.00 558.8	6.00 152.4	16.00 406.4	22.50 571.5	0.25 6.4	2.00 50.8	RC6RS-22	18.4	52.1	1925						
RM(A/C)6-26-20	6.0 152.4	26.00 660.4	6.00 152.4	20.00 508.0	26.50 673.1	0.25 6.4	2.00 50.8	RC6RS-26	20.9	61.6	1925						
RM(A/C)6- 30-24	6.0 152.4	30.00 762.0	6.00 152.4	24.00 609.6	30.50 774.7	0.25 6.4	2.00 50.8	RC6RS-10	23.5	71.0	1925						