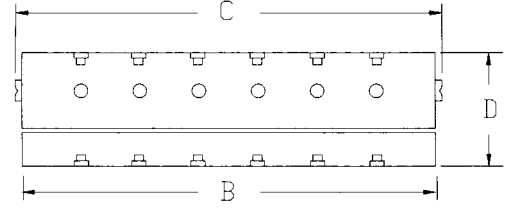
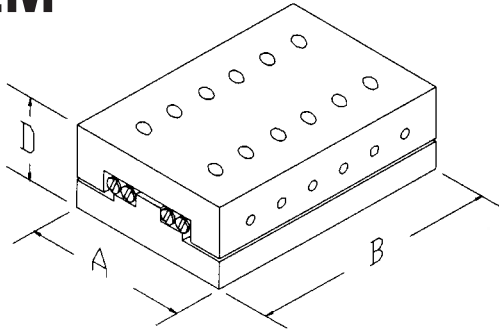


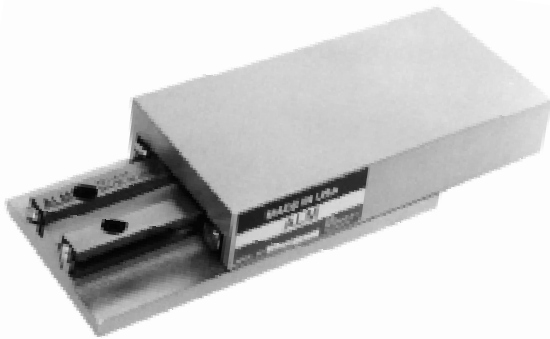
EXTENDED TRAVEL MODEL SLIDES



Detail Dimensions Pg 41

MODEL #	A WIDTH	B PL	TRAVEL	C OAL	D HEIGHT	RAIL SET	WEIGHT		MAX CC (LBS)
							A	S	
X(A/S) 1-1-05	1.575 40.0	1.378 35.0	0.709 18.0	1.378 35.0	0.827 21.0	RS079-10-05P	.25	.40	70
X(A/S) 1-2-1	1.575 40.0	1.969 50.0	1.181 30.0	1.969 50.0	0.827 21.0	RS079-20-07P	.33	.58	98
X(A/S) 1-25-15	1.575 40.0	2.559 65.0	1.575 40.0	2.559 65.0	0.827 21.0	RS079-25-09P	.42	.75	126
X(A/S) 1-3-2	1.575 40.0	3.150 80.0	1.969 50.0	3.150 80.0	0.827 21.0	RS079-30-12P	.51	.93	168
X(A/S) 1-35-25	1.575 40.0	3.740 95.0	2.362 60.0	3.740 95.0	0.827 21.0	RS079-35-14P	.60	1.1	196
X(A/S) 1-4-3	1.575 40.0	4.331 110.0	2.756 70.0	4.331 110.0	0.827 21.0	RS079-40-17P	.69	1.27	238
X(A/S) 1-5-4	1.575 40.0	4.921 125.0	3.150 80.0	4.921 125.0	0.827 21.0	RS079-50-19P	.78	1.45	266
X(A/S) 1-6-5	1.575 40.0	6.102 155.0	3.937 100.0	6.102 155.0	0.827 21.0	RS079-60-24P	.96	1.80	456
X(A/S) 1-7-6	1.575 40.0	7.283 185.0	4.724 120.0	7.283 185.0	0.827 21.0	RS079-70-29P	1.14	2.15	406

ROLLERS PER RETAINER MAY BE VARIED (LESS ROLLERS = INCREASED TRAVEL; DECREASED LOAD CAPACITY.
MORE ROLLERS = DECREASED TRAVEL; INCREASED LOAD CAPACITY)

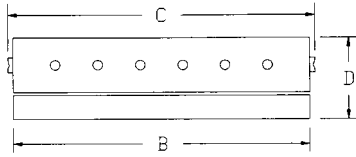
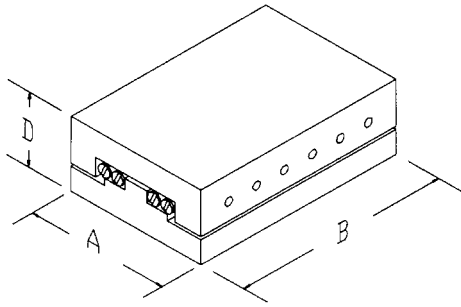


**STANDARD MOUNTING
HOLES AVAILABLE**

**PLEASE DESIGNATE
MATERIAL**
A = ALUMINUM
S = STEEL
C = CAST IRON

Detail Dimensions Pg. 44 & 45

MODEL #	A WIDTH	B PL	TRAVEL	C OAL	D HEIGHT	RAIL SET	WEIGHT		MAX CC (LBS)
							A	C	
X(A/C) 2-2-1	2.0 50.8	2.0 50.8	1.0 25.4	2.13 54.0	0.98 25.0	RS118-02-07-C	.5	.9	174
X(A/C) 2-3-2	2.0 50.8	3.0 76.2	2.0 50.8	3.11 79.0	0.98 25.0	RS118-03-09-C	.8	1.4	232
X(A/C) 2-4-3	2.0 50.8	4.0 101.6	3.0 76.2	4.09 104.0	0.98 25.0	RS118-04-12-C	1.0	1.9	348
X(A/C) 2-5-4	2.0 50.8	5.0 127.0	4.0 101.6	5.08 129.0	0.98 25.0	RS118-05-14-C	1.3	2.3	406
X(A/C) 2-6-5	2.0 50.8	6.0 152.4	5.0 127.0	6.06 154.0	0.98 25.0	RS118-06-17-C	1.5	2.8	464
X(A/C) 2-7-6	2.0 50.8	7.0 177.8	6.0 152.4	7.05 179.0	0.98 25.0	RS118-07-19-C	1.8	3.3	522
X(A/C) 2-8-7	2.0 50.8	8.0 203.2	7.0 177.8	8.03 204.0	0.98 25.0	RS118-08-22-C	2.0	3.8	638
X(A/C) 2-9-8	2.0 50.8	9.0 228.6	8.0 203.2	9.02 229.0	0.98 25.0	RS118-09-24-C	2.3	4.2	696
X(A/C) 2-10-9	2.0 50.8	10.0 254.0	9.0 228.6	10.00 254.0	0.98 25.0	RS118-10-27-C	2.5	4.7	754
X(A/C) 2-11-10	2.0 50.8	11.0 279.4	10.0 254.0	11.00 279.4	0.98 25.0	RS118-11-29-C	2.8	5.2	812
X(A/C) 2-12-11	2.0 50.8	12.0 304.8	11.0 279.4	12.00 304.8	0.98 25.0	RS118-12-32-C	3.0	5.6	928



PLEASE DESIGNATE MATERIAL
 A = ALUMINUM
 C = CAST IRON

STANDARD MOUNTING HOLES AVAILABLE

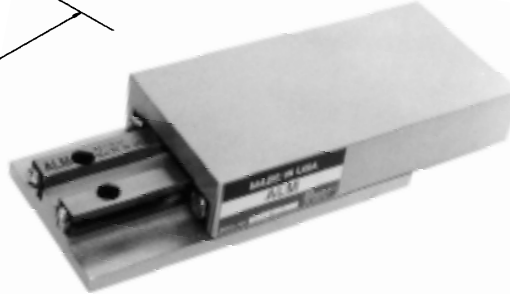
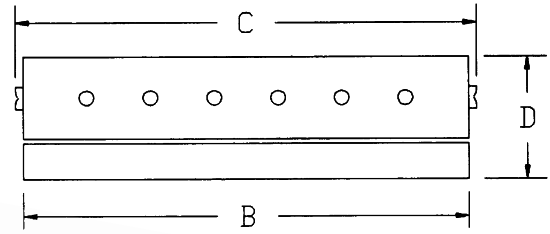
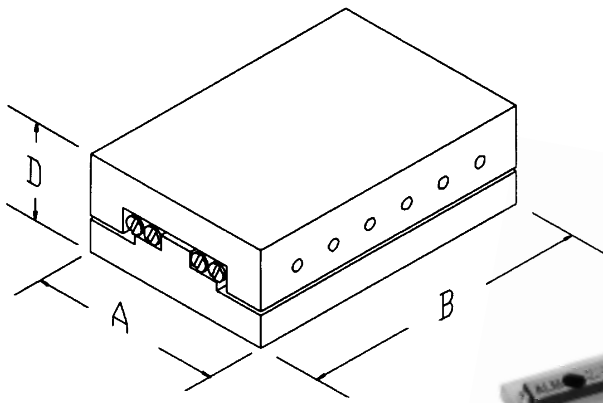
MODEL #	A		TRAVEL	C		RAIL SET	WEIGHT		MAX CC (LBS)
	WIDTH	PL		OAL	HEIGHT		A	C	
X(A/C) 3-3-2	3.0	3.0	2.0	3.11	1.25	RS118-03-9-C	1.2	2.7	232
	76.2	76.2	50.8	79.0	31.8				
X(A/C) 3-4-3	3.0	4.0	3.0	4.09	1.25	RS118-04-12-C	1.7	3.6	348
	76.2	101.6	76.2	104.0	31.8				
X(A/C) 3-5-4	3.0	5.0	4.0	5.08	1.25	RS118-05-14-C	2.1	4.5	406
	76.2	127.0	101.6	129.0	31.8				
X(A/C) 3-6-5	3.0	6.0	5.0	6.06	1.25	RS118-06-17-C	2.5	5.4	464
	76.2	152.4	127.0	154.0	31.8				
X(A/C) 3-7-6	3.0	7.0	6.0	7.05	1.25	RS118-07-19-C	2.9	6.3	522
	76.2	177.8	152.4	179.0	31.8				
X(A/C) 3-8-7	3.0	8.0	7.0	8.03	1.25	RS118-08-22-C	3.3	7.2	638
	76.2	203.2	177.8	204.0	31.8				
X(A/C) 3-9-8	3.0	9.0	8.0	9.02	1.25	RS118-09-24-C	3.7	8.1	696
	76.2	228.6	203.2	229.0	31.8				
X(A/C) 3-10-9	3.0	10.0	9.0	10.00	1.25	RS118-10-27-C	4.2	9.0	754
	76.2	254.0	228.6	254.0	31.8				
X(A/C) 3-11-10	3.0	11.0	10.0	11.00	1.25	RS118-11-29-C	4.6	9.9	812
	76.2	279.4	254.0	279.4	31.8				
X(A/C) 3-12-11	3.0	12.0	11.0	12.00	1.25	RS118-12-32-C	5.0	10.8	928
	76.2	304.8	279.4	304.8	31.8				

Detail Dimensions Pg. 44 & 45

MODEL #	A		TRAVEL	C		RAIL SET	WEIGHT		MAX CC (LBS)
	WIDTH	PL		OAL	HEIGHT		A	C	
X(A/C) 4-4-3	4.0	4.0	3.0	4.17	1.44	RS236-04-5-C	3.0	5.7	480
	101.6	101.6	76.2	106.0	36.5				
X(A/C) 4-6-5	4.0	6.0	5.0	6.14	1.44	RS236-06-7-C	4.5	8.6	720
	101.6	152.4	127.0	156.0	36.5				
X(A/C) 4-8-7	4.0	8.0	7.0	8.11	1.44	RS236-08-9-C	6.0	11.4	960
	101.6	203.2	177.8	206.0	36.5				
X(A/C) 4-10-9	4.0	10.0	9.0	10.08	1.44	RS236-10-11-C	7.5	14.3	1200
	101.6	254.0	228.6	256.0	36.5				
X(A/C) 4-12-11	4.0	12.0	11.0	12.05	1.44	RS236-12-13-C	9.1	17.1	1440
	101.6	304.8	279.4	306.0	36.5				
X(A/C) 4-14-13	4.0	14.0	13.0	14.02	1.44	RS236-14-15-C	10.6	20.0	1680
	101.6	355.6	330.2	356.0	36.5				
X(A/C) 4-16-15	4.0	16.0	15.0	16.00	1.44	RS236-16-17-C	12.1	22.8	1920
	101.6	406.4	381.0	406.4	36.5				
X(A/C) 4-18-17	4.0	18.0	17.0	18.00	1.44	RS236-18-19-C	13.6	25.7	2160
	101.6	457.2	431.8	457.2	36.5				
X(A/C) 4-20-19	4.0	20.0	19.0	20.00	1.44	RS236-20-21-C	15.1	28.5	2400
	101.6	508.0	482.6	508.0	36.5				
X(A/C) 4-22-21	4.0	22.0	21.0	22.00	1.44	RS236-22-23-C	16.6	31.4	2640
	101.6	558.8	533.4	558.8	36.5				
X(A/C) 4-24-23	4.0	24.0	23.0	24.00	1.44	RS236-24-25-C	18.1	34.3	2880
	101.6	609.6	584.2	609.6	36.5				
X(A/C) 4-26-25	4.0	26.0	25.0	26.00	1.44	RS236-26-27-C	19.7	37.6	3240
	101.6	660.4	635.0	660.4	36.5				
X(A/C) 4-28-27	4.0	28.0	27.0	28.00	1.44	RS236-28-29-C	21.2	40.4	3480
	101.6	711.2	685.8	711.2	36.5				
X(A/C) 4-30-29	4.0	30.0	29.0	30.00	1.44	RS236-30-31-C	22.8	43.3	3720
	101.6	762.0	736.6	762.0	36.5				
X(A/C) 4-32-31	4.0	32.0	31.0	32.00	1.44	RS236-32-33-C	24.3	46.5	3960
	101.6	812.8	787.4	812.8	36.5				
X(A/C) 4-34-33	4.0	34.0	33.0	34.00	1.44	RS236-34-35-C	25.8	49.8	4200
	101.6	863.6	838.2	863.6	36.5				
X(A/C) 4-36-35	4.0	36.0	35.0	36.00	1.44	RS236-36-37-C	27.4	52.1	4440
	101.6	914.4	889.0	914.4	36.5				

EXTENDED TRAVEL MODEL SLIDES

ALM



Detail Dimensions Pg. 44 & 45

PLEASE DESIGNATE MATERIAL
 A = ALUMINUM
 C = CAST IRON

STANDARD MOUNTING HOLES AVAILABLE

MODEL #	A		B PL	TRAVEL	C		D	WEIGHT		MAX LOAD
	WIDTH				OAL	HEIGHT		A	C	
X(A/C) 6-6-5	6.0	6.0	4.75	6.14	2.00	RS236-06-7-C	7.7	16.7	720	
	152.4	152.4								120.7
X(A/C) 6-8-7	6.0	8.0	6.75	8.11	2.00	RS236-08-9-C	10.3	22.3	960	
	152.4	203.2								171.5
X(A/C) 6-10-9	6.0	10.0	8.75	10.08	2.00	RS236-10-11-C	12.9	27.9	1200	
	152.4	254.0								222.3
X(A/C) 6-12-11	6.0	12.0	10.75	12.05	2.00	RS236-12-13-C	15.5	33.5	1440	
	152.4	304.8								273.1
X(A/C) 6-14-13	6.0	14.0	12.75	14.02	2.00	RS236-14-15-C	18.1	39.0	1680	
	152.4	355.6								323.9
X(A/C) 6-16-15	6.0	16.0	14.75	16.00	2.00	RS236-16-17-C	20.7	44.6	1920	
	152.4	406.4								374.7
X(A/C) 6-18-17	6.0	18.0	16.75	18.00	2.00	RS236-18-19-C	23.2	50.2	2160	
	152.4	457.2								425.5
X(A/C) 6-20-19	6.0	20.0	18.75	20.00	2.00	RS236-20-21-C	25.8	55.8	2400	
	152.4	508.0								476.3
X(A/C) 6-22-21	6.0	22.0	20.75	22.00	2.00	RS236-22-23-C	28.4	61.3	2640	
	152.4	558.8								527.1
X(A/C) 6-24-23	6.0	24.0	22.75	24.00	2.00	RS236-24-25-C	31.0	66.9	2880	
	152.4	609.6								577.9
X(A/C) 6-26-25	6.0	26.0	24.75	26.00	2.00	RS236-26-27-C	34.2	72.4	3240	
	152.4	660.4								628.7
X(A/C) 6-28-27	6.0	28.0	26.75	28.00	2.00	RS236-28-29-C	37.5	78.0	3480	
	152.4	711.2								679.5
X(A/C) 6-30-29	6.0	30.0	28.75	30.00	2.00	RS236-30-31-C	41.1	83.6	3720	
	152.4	762.0								730.3

METRIC MODEL : DIRECT REPLACEMENT FOR ALL IMPORTED PRODUCTS; SPECIFY SUPPLIER

MODEL #	A		B PL	TRAVEL	C		D	WEIGHT		MAX LOAD
	WIDTH				OAL	HEIGHT		A	C	
X(A/C) 23- 2- 1	2.36	2.16	1.18	2.16	1.1	RS118-02-06-C	.8	1.2	174	
	60.0	55.0								30.0
X(A/C) 23- 3- 2	2.36	3.15	1.77	3.15	1.1	RS118-03-09-C	1.0	1.7	232	
	60.0	80.0								45.0
X(A/C) 23- 4-25	2.36	4.13	2.36	4.13	1.1	RS118-04-13-C	1.3	2.2	348	
	60.0	105.0								60.0
X(A/C) 23- 5- 3	2.36	5.12	2.95	5.12	1.1	RS118-05-16-C	1.5	2.5	406	
	60.0	130.0								45.0
X(A/C) 23- 6-35	2.36	6.10	3.54	6.10	1.1	RS118-06-20-C	1.8	3.0	464	
	60.0	155.0								90.0
X(A/C) 23- 7- 4	2.36	7.09	4.13	7.09	1.1	RS118-07-23-C	2.0	3.5	522	
	60.0	80.0								105.0
X(A/C) 23- 8- 5	2.36	8.07	5.12	8.07	1.1	RS118-08-26-C	2.2	4.1	638	
	60.0	205.0								130.0
X(A/C) 23- 9- 6	2.36	9.05	6.10	9.05	1.1	RS118-09-28-C	2.6	4.5	696	
	60.0	230.0								155
X(A/C) 23-10- 7	2.36	10.04	7.09	10.04	1.1	RS118-10-31-C	2.9	5.0	754	
	60.0	255.0								180.0
X(A/C) 23-11- 8	2.36	11.02	8.07	11.02	1.1	RS118-11-33-C	3.1	5.5	812	
	60.0	280.0								205.0
X(A/C) 23-12- 9	2.36	12.01	9.05	12.01	1.1	RS118-12-36-C	3.3	5.9	928	
	60.0	305.0								230.0